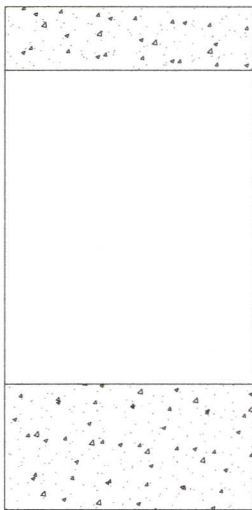
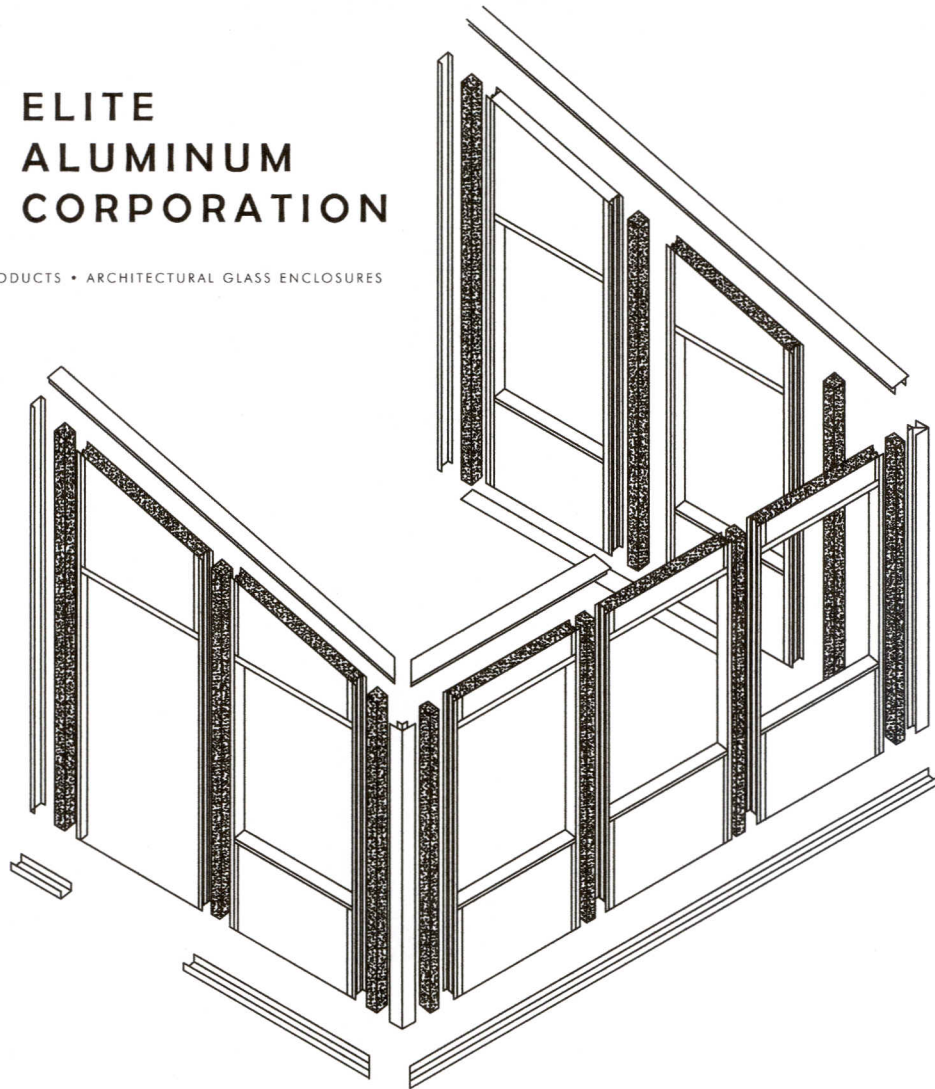




**ELITE
ALUMINUM
CORPORATION**

INSULATED PANEL PRODUCTS • ARCHITECTURAL GLASS ENCLOSURES



NatureScape
by ELITE

3" Thermally Broken

2" Non-Thermal



REASONS TO CONSIDER PREFABRICATED:

- Pre-designed, pre-engineered and pre-inspected, the NatureScape enclosure guarantees that the room will be delivered and installed as specified.
- Manufactured by Elite Aluminum Corp., the enclosure industry leader for over 20 years
- NatureScape enclosures are manufactured in Elite's factory with precision machinery and fixtures under rigid quality standards which ensures cost effectiveness and consistent quality construction.
- NatureScape prefabricated enclosures are quickly installed, reducing the cost of labor, on-site disruption and inconvenience during the construction period.
- NatureScape enclosures offer the industry's strongest warranties on both materials and workmanship.

NatureScape FEATURES:

- Insulated load bearing walls made of maintenance free aluminum.
- A variety of facings and color options are available.
- Solid doors designed for the NatureScape enclosure and available in 10 designer styles.
- Horizontal sliding windows with full screens and a double drainage feature. Both window vents are operable and removable.
- Standard vents featuring the Elite *On-Guard* locking system to prevent outside intrusion.

STRUCTURALLY STRONG

ELITE panels have complete structural integrity in themselves. The panels join together to form wall and roof with complete structural integrity. The Elite NatureScape system has proven itself for over twenty years in both residential and commercial applications throughout the world.

A WIDE RANGE OF BUILDINGS AND COMPONENTS IN STANDARD OR SPECIAL DESIGNS.

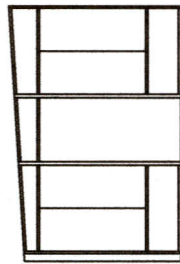
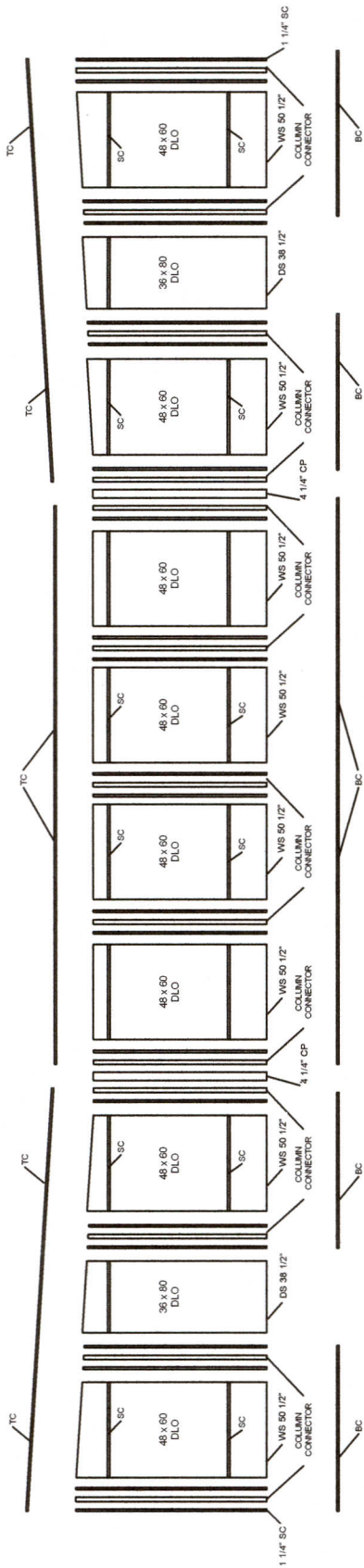
All modular components, for building construction, are factory produced by Elite. These components are pre-engineered, pre-cut, tested and labeled for ease of installation. Choose from a wide variety of standard designs and sizes, or create a custom environment to fit a specific need. You'll be amazed at the short time it takes for your Elite NatureScape contractor to construct your room, with almost no disruption of your life and no construction mess.

CODE APPROVALS AND SPECIFICATIONS

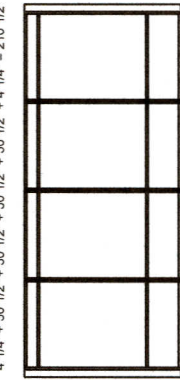
Elite's NatureScape enclosures meet or exceed every national building code standard. Elite roof panels have a class B rating and hold a UL 17-15 classification for roof and ceiling structures. Wall panels (3") have an R value (insulation) of 18 + which far exceeds conventional construction and assures you of economical year round comfort in any climate, and reduced heating/cooling costs.

EXPANDABLE TO MEET FUTURE NEEDS

ELITE structures can be easily expanded or modified after construction. They are designed and built for present needs with assurance that at a later date additional space or facilities can be added as required, even adding a second story. If need be, the entire building can quickly and easily be disassembled and relocated.

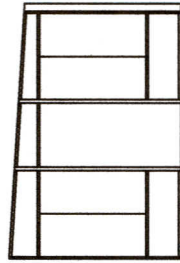


TOTAL COVERAGE = 145



TOTAL COVERAGE = 210 1/2"

EXAMPLE CENTER WALL SECTION
 $4 \times 1/4" + 50 \times 1/2" + 50 \times 1/2" + 50 \times 1/2" + 50 \times 1/2" + 50 \times 1/2" + 4 \times 1/4" = 210 \times 1/2"$

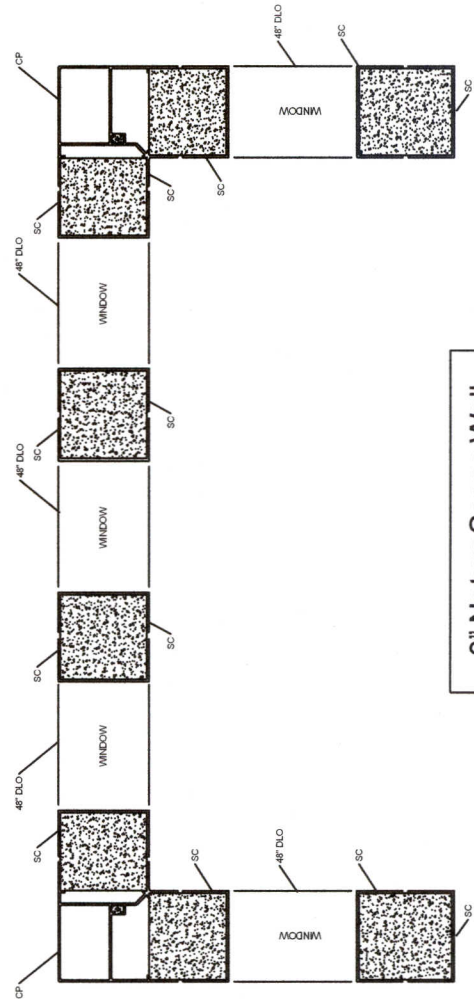


TOTAL COVERAGE = 145

THE ABOVE DIAGRAM INDICATES TOTAL COVERAGE DIMENSIONS FOR ALL EXTRUDED VERTICAL SHAPES ADDED WITH ALL DAYLIGHT OPENING DIMENSIONS.

COVERAGE NOTES

WS =	DLO + 2 1/2"
DS =	DLO + 2 1/2"
E3KDS =	DLO + 4 1/8"
CP =	4 1/4"
SC =	1 1/4"

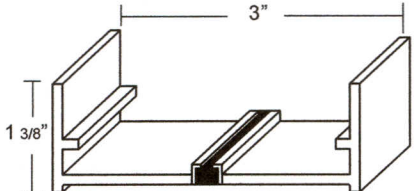
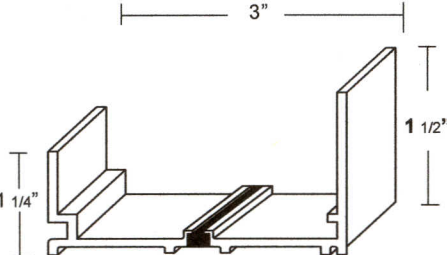
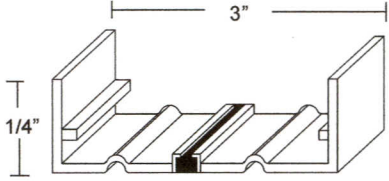
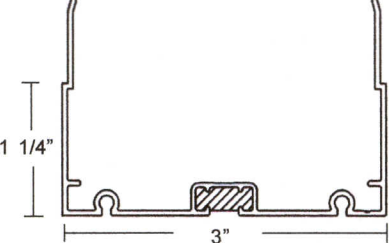
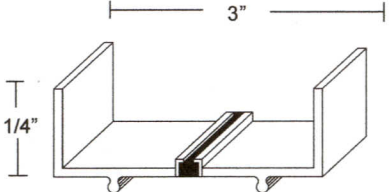
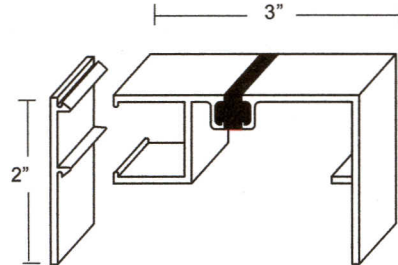


LEGEND:

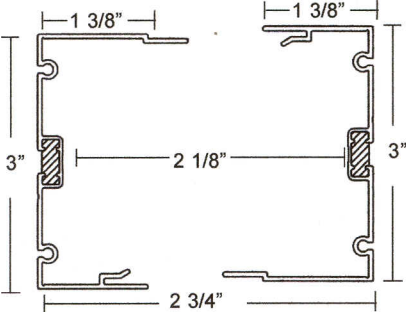
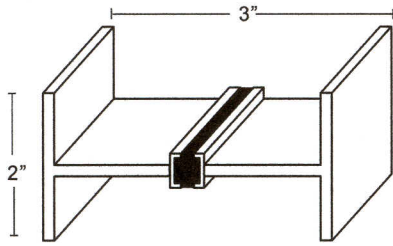
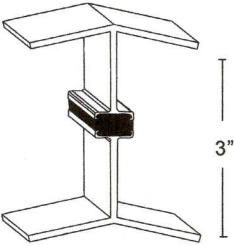
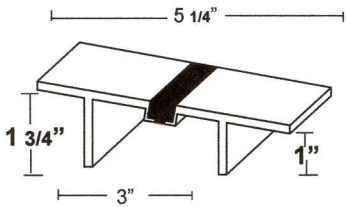
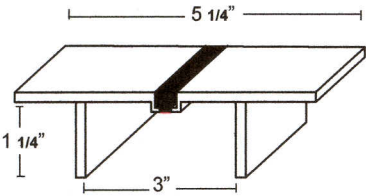
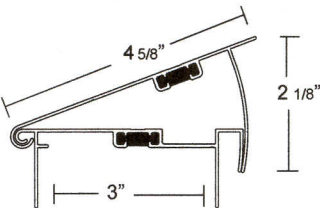
- WS = WALL SECTION
- BC = BASE CHANNEL
- TC = TOP CAP
- SC = SECTION CONNECTOR
- CP = CORNER POST
- DS = DOOR SECTION
- E3KDS = E3K DOOR SECTION
- DLO = DAY LIGHT OPENING

3" NatureScope Wall

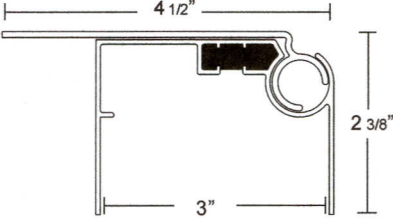
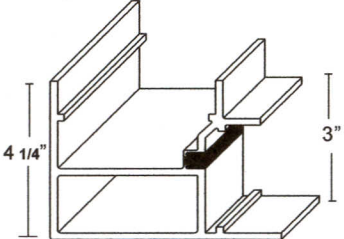
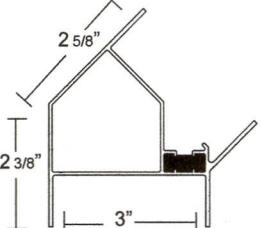
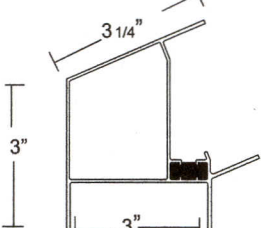
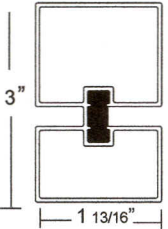
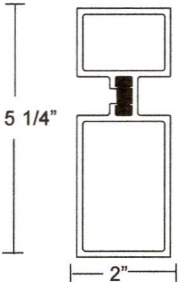
3" NatureScape Wall

ITEM	USE/DESCRIPTION	SPEC
	<p style="text-align: center;">CABANA BASE SKU # ~ 60601-1</p> <p>Designed to anchor wall panels and extruded vertical members to the foundation. Can also be used as a top cap.</p>	<p>Length: 24'</p> <p>Color: Almond~Bronze White</p>
	<p style="text-align: center;">BASE CHANNEL W/WEEP SKU # ~ 60601- 47</p> <p>Designed to anchor wall panels and extruded vertical members to the foundation and diverts any moisture intrusion to weep out, before it can enter occupied space.</p>	<p>Length: 24'</p> <p>Color: Almond~Bronze White</p>
	<p style="text-align: center;">COLUMN/STARTER CHANNEL (FEMALE) SKU # ~ 60601-61</p> <p>Designed as a vertical support as well as to join wall sections together. Also used as a starting channel on host structure</p>	<p>Length: 24'</p> <p>Color: Almond~Bronze White</p>
	<p style="text-align: center;">COLUMN/STARTER CHANNEL (MALE) SKU # ~ 60601-145</p> <p>Designed as a vertical support as well as to join wall sections together. Mates with column channel #60601-61</p>	<p>Length: 24'</p> <p>Color: White Almond</p>
	<p style="text-align: center;">PANEL ADAPTER SKU # 60601-62</p> <p>Designed to adapt Insulated panel to male and female connector at kneewall and transom locations.</p>	<p>Length: 24'</p> <p>Color: Almond~Bronze White</p>
	<p style="text-align: center;">CHANNEL W/CHASE and SNAP SKU # ~ 60601- 100/99</p> <p>Designed, as a 2 piece system that provides an accessible chase to wire for electrics. This channel simplifies installation under an existing roof and can be used as a base or top cap for the wall system. (UL Listed)</p>	<p>Length: 24'</p> <p>Color: Almond~Bronze White</p>

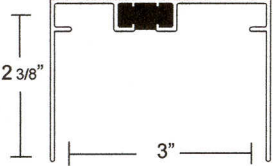
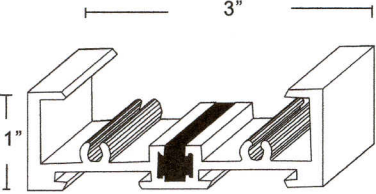
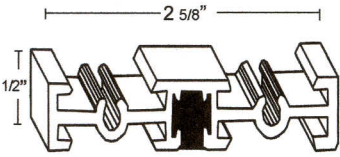
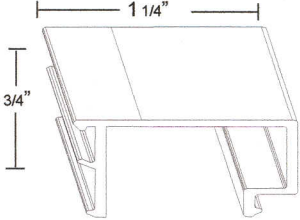
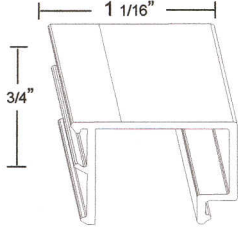
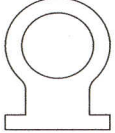
3" NatureScape wall

ITEM	DESCRIPTION	SPEC
	<p>SELF MATING COLUMN CHANNEL SKU # 60601-112</p> <p>Designed as vertical support and to join wall sections together. May also be used as a raceway for electric and will accommodate outlet and switch boxes. (UL Listed)</p>	<p>Length: 24'</p> <p>Color: White Almond</p>
	<p>“H” BEAM SKU # ~ 60601-3</p> <p>Designed to provide vertical support on both sides of windows and doors. Also used as a connection between solid wall panels</p>	<p>Length: 24'</p> <p>Color: Almond~Bronze White</p>
	<p>RIDGE BEAM, FIXED - 3” SKU # ~ 60601-38</p> <p>Designed as a column or corner at a junction where a 72 degree is required, such as a bay wall.</p>	<p>Length: 24'</p> <p>Color: Almond White</p>
	<p>3/12 TOP CAP SKU # ~ 60601-6</p> <p>Designed to cap the wall system and to connect the roof at a 3/12 slope to the wall</p>	<p>Length: 24'</p> <p>Color: Almond ~ Bronze White</p>
	<p>TOP CAP, FLAT SKU # ~ 60601-5</p> <p>Designed to cap the wall system and to connect the roof to the wall</p>	<p>Length: 24'</p> <p>Color: Almond~Bronze White</p>
	<p>ADJUSTABLE TOP CAP (2 PCS) SKU # ~ 60601-141</p> <p>Designed to cap the eave walls of a gable room to adjust to various slopes. Adjusts flat to 30° maximum.</p>	<p>Length: 24'</p> <p>Color: White Almond</p>

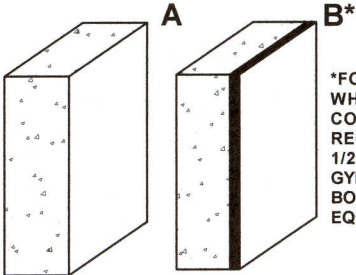
3" NatureScape Wall

ITEM	DESCRIPTION	SPEC
	<p>WALL CAP ADJUSTABLE LEAF (2 PCS) SKU # ~ 60601-140</p> <p>Designed to cap wall system and allow for the adjustment for various roof slopes.</p>	<p>Length: 24'</p> <p>Color: Almond White</p>
	<p>CORNER POST SKU # ~ 60601-7/8/9</p> <p>Designed to connect fill or wall panels at 90° corners and provide vertical structural support.</p>	<p>Length: 60601-7 -8' 60601-9 -24'</p> <p>Color: Almond~Bronze White</p>
	<p>CORNER POST 45° SKU # ~ 60601-108</p> <p>Designed to connect fill panel or wall sections at a 45° corner. Also provides vertical structural support.</p>	<p>Length: 24'</p> <p>Color: White Almond</p>
	<p>CORNER POST 22.5° SKU # ~ 60601-109</p> <p>Designed to connect fill panel or wall sections at a 22.5° corner. Also provides vertical structural support.</p>	<p>Length: 24'</p> <p>Color: White Almond</p>
	<p>COLUMN INSERT SKU # ~ 60601-106</p> <p>Use as a column connector between wall sections to achieve greater wall height. Adds structural support for installation of doors.</p>	<p>Length: 24'</p> <p>Color: Mill finish</p>
	<p>S.G.D. FRAMING TUBE SKU # ~ 60601-123</p> <p>Used to add structural support for the installation of a sliding glass door.</p>	<p>Length: 24'</p> <p>Color: White Almond</p>

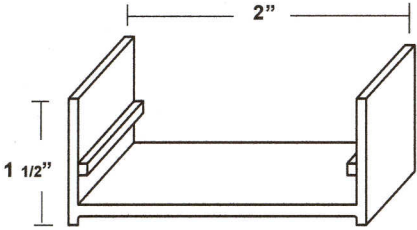
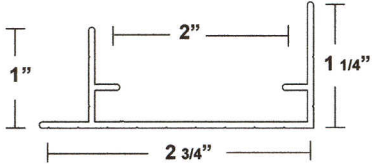
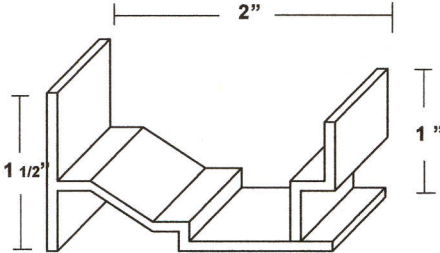
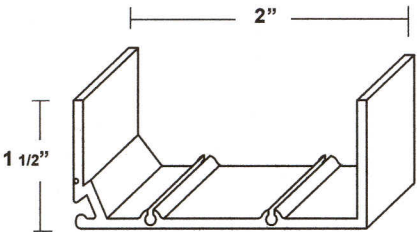
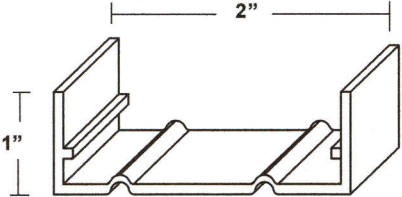
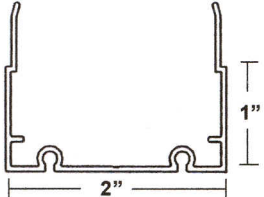
3" NatureScape Wall

ITEM	DESCRIPTION	SPEC
	<p style="text-align: center;">WALL CAP / RECEIVER SKU # ~ 60601-110</p> <p>Designed to cap wall system and connect roof to walls or as starter channel at host structure.</p>	<p>Length: 24'</p> <p>Color: White Almond</p>
	<p style="text-align: center;">UNIVERSAL DOOR ADAPTER SKU # ~ 26024</p> <p>Designed to replace DRC, and to finish H-Beam on both sides of door when using the Elite 3000 series door.</p>	<p>Length: 24'</p> <p>Color: Almond Bronze White</p>
	<p style="text-align: center;">UNIVERSAL GLASS ADAPTER SKU # ~ 26023</p> <p>Designed to receive glazing clips for fixed glass applications. For use with single glazed or insulated glass in transom or kneewall areas.</p>	<p>Length: 24'</p> <p>Color: Almond Bronze White</p>
	<p style="text-align: center;">SQUARE GLAZING CLIP for 1/4" or 3/16" GLASS SKU # ~ 26037</p> <p>Designed for use with universal glass adapter for fixed glass applications.</p>	<p>Length: 24'</p> <p>Color: Almond Bronze White</p>
	<p style="text-align: center;">SQUARE GLAZING CLIP for 1/2" or 5/8" GLASS SKU # ~ 26039</p> <p>Designed for use with universal glass adapter for fixed glass applications.</p>	<p>Length: 24'</p> <p>Color: Almond Bronze White</p>
	<p style="text-align: center;">ROUNDED WEATHER SEAL BULB VINYL SKU # ~ 23001</p> <p>Designed as a weather seal for glazing clips.</p>	<p>Length: 280'</p> <p>Color: Almond Bronze White</p>

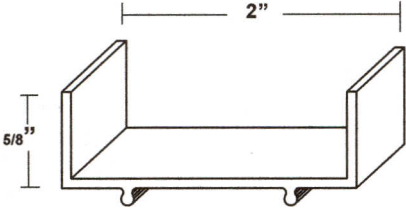
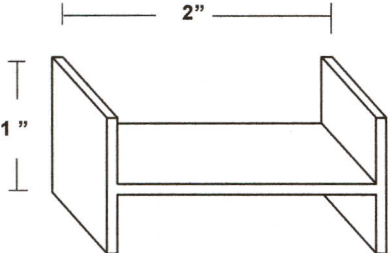
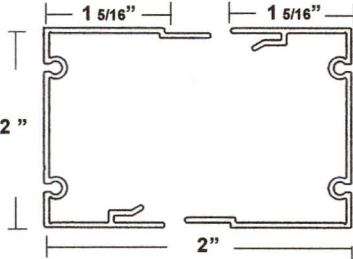
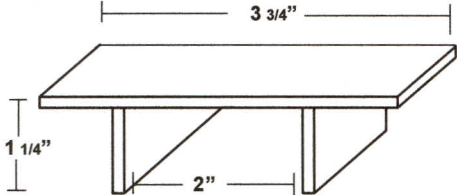
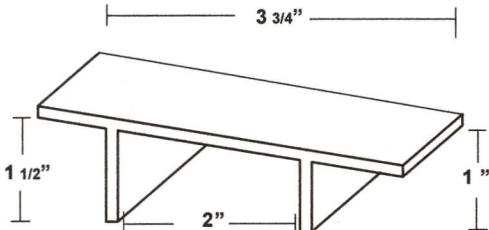
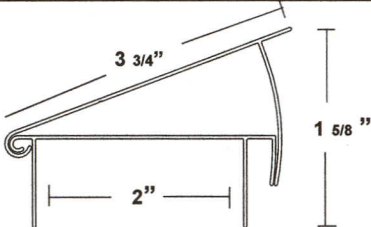
3" NatureScape Wall

ITEM	DESCRIPTION	SPEC
 <p style="font-size: small; margin-left: 150px;">*FOR USE WHEN CODE REQUIRES 1/2 INCH GYPSUM BOARD OR EQUAL</p>	<p>WALL PANEL SKU # ~ 60201-2</p> <p>Used in the kneewall and transom areas of wall sections. Used for vertical fill where needed. Width and Height are custom fabricated on site.</p>	<p>Facing Options: Aluminum Durashield Interior Paneling</p> <p>Colors: Refer to color samples</p>

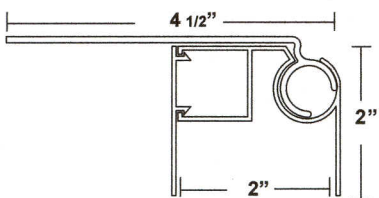
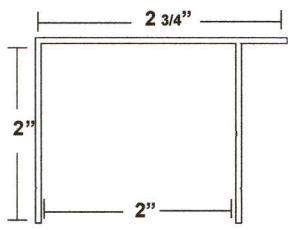
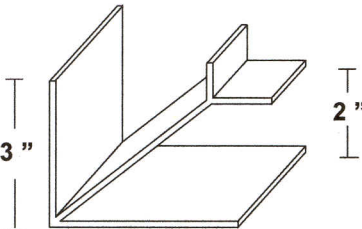
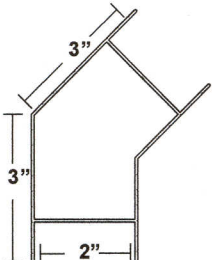
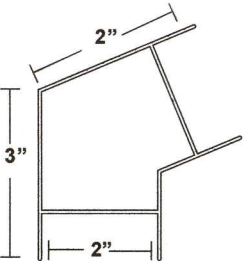
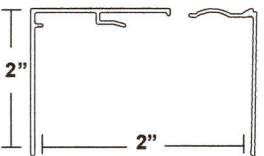
2" NatureScape Wall

ITEM	DESCRIPTION	SPEC
	<p style="text-align: center;">CABANA BASE SKU # ~ 60601-14</p> <p>Designed to anchor wall panels and extruded vertical members to the foundation. Can also be used as a top cap.</p>	<p>Length: 24'</p> <p>Color: Almond~Bronze White</p>
	<p style="text-align: center;">BASE CHANNEL W/FLASH SKU # ~ 60601-124</p> <p>Designed to anchor wall panels and extruded vertical members to foundation.</p>	<p>Length: 24'</p> <p>Color: White~Almond</p>
	<p style="text-align: center;">BASE CHANNEL, SLOPED SKU # ~ 60601-13</p> <p>Designed to anchor wall panels and extruded vertical members to the foundation and diverts any moisture intrusion to weep out, before it can enter occupied space.</p>	<p>Length: 24'</p> <p>Color: Almond~Bronze White</p>
	<p style="text-align: center;">CHANNEL W/SPLINE GROOVE SKU # ~ 60601-22</p> <p>For screen use only. Designed for screening all day light openings. Used as a vertical support as well as for joining wall sections together.</p>	<p>Length: 24'</p> <p>Color: Almond~Bronze White</p>
	<p style="text-align: center;">COLUMN/STARTER CHANNEL (FEMALE) SKU # ~ 60601-53</p> <p>Designed as vertical support and to host structure. Also used to join wall sections together.</p>	<p>Length: 24'</p> <p>Color: Almond~Bronze White</p>
	<p style="text-align: center;">COLUMN/STARTER CHANNEL (MALE) SKU # ~ 60601-146</p> <p>Designed as vertical support and to host structure. Also used to join wall sections together. Mates with column/starter channel #60601-53</p>	<p>Length: 24'</p> <p>Color: Almond~Bronze White</p>

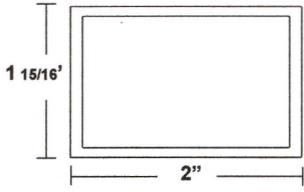
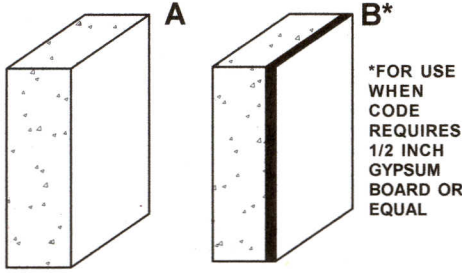
2" NatureScape Wall

ITEM	DESCRIPTION	SPEC
	<p style="text-align: center;">PANEL ADAPTER SKU # ~ 60601-54</p> <p>Designed to adapt insulated panel to column channels at kneewall and transom locations.</p>	<p>Length: 24'</p> <p>Color: Almond~Bronze White</p>
	<p style="text-align: center;">"H" BEAM SKU # ~ 60601-17</p> <p>Designed as a vertical support on both sides of windows and doors. Also used as a connection between solid wall panels.</p>	<p>Length: 24'</p> <p>Color: Almond~Bronze White</p>
	<p style="text-align: center;">SELF MATING COLUMN CHANNEL SKU # ~ 60601-111</p> <p>Designed as a vertical support and to join wall sections together. May also be used as a raceway for electric and will accommodate outlet and switch boxes. (UL Listed)</p>	<p>Length: 24'</p> <p>Color: Almond~Bronze White</p>
	<p style="text-align: center;">TOP CAP, FLAT SKU # ~ 60601-15</p> <p>Designed to cap the wall system and to connect the roof to the wall.</p>	<p>Length: 24'</p> <p>Color: Almond~Bronze White</p>
	<p style="text-align: center;">3/12 TOP CAP SKU # ~ 60601-51</p> <p>Designed to cap the wall system and to connect the roof at a 3/12" slope to the wall.</p>	<p>Length: 24'</p> <p>Color: White~Bronze</p>
	<p style="text-align: center;">ADJUSTABLE TOP CAP (2 PC) SKU # ~ 60601-142</p> <p>Designed to cap the eave walls of a gable room to adjust to various slopes. Flat to 30° maximum.</p>	<p>Length: 24'</p> <p>Color: White~Almond</p>

2" NatureScape Wall

ITEM	DESCRIPTION	SPEC
	<p>CHANNEL W/CHASE AND ADJ. LEAF SKU # ~ 60601-144</p> <p>Designed to provide an accessible chase to wire for electrics. Also allows for adjustment to various roof slopes. UL Listed)</p>	<p>Length: 24'</p> <p>Color: White~Almond</p>
	<p>F-CHANNEL WALL CAP SKU # ~ 60601-125</p> <p>Designed to cap wall system and connect roof to walls or as a starter channel at host structure.</p>	<p>Length: 24'</p> <p>Color: White~Almond</p>
	<p>CORNER POST SKU # ~ 60601-19/20/21</p> <p>Designed for vertical support and to connect fill panels or wall sections at 90° corners.</p>	<p>Length: 60601-19-8' 60601-21-24'</p> <p>Color: Almond~Bronze White</p>
	<p>CORNER POST 45° SKU # ~ 60601-121</p> <p>Designed to connect fill panel or wall sections at a 45° corner. Also provides vertical structural support.</p>	<p>Length: 24'</p> <p>Color: White~Almond</p>
	<p>CORNER POST 22.5° SKU # ~ 60601-122</p> <p>Designed to connect fill panel or wall sections at a 22.5° corner. Also provides vertical structural support.</p>	<p>Length: 24'</p> <p>Color: White~Almond</p>
	<p>INFILL CHANNEL (2 PCS) SKU # ~ 60601-143</p> <p>Designed to be used as a starter channel to install wall sections and infill panels in a trapped area.</p>	<p>Length: 24'</p> <p>Color: White~Almond Bronze</p>

2" NatureScape Wall

ITEM	DESCRIPTION	SPEC
	<p style="text-align: center;">COLUMN INSERT SKU # ~ 60601-107</p> <p>Use as a column connector between wall sections to achieve greater wall heights or as structural support for the installation of doors.</p>	<p>Length: 24'</p> <p>Color: Mill Finish</p>
	<p style="text-align: center;">WALL PANEL SKU # ~ 60201 / 60201-2</p> <p>Used in the kneewall and transom areas of wall sections. Used for vertical fill where needed. Width and height are custom fabricated on site.</p>	<p>Facing Options: Aluminum Durashield Interior Paneling</p> <p>Colors: Refer to color samples</p>



Installing the NatureScape Room System

Begin by measuring the floor layout. Use these measurements to install the base channel to the foundation. Mitre the base at the corners and leave a 36" opening at the door.

Apply a generous bead of polyurethane sealant to the underside and fasten 12" on center, staggering the bolts. Weep holes can be drilled on the outside of this channel, approximately 18" on center, to allow any potential water to escape.

The starter channel secures the structure to the house. Cut the starter to the desired height and apply polyurethane to the backside. Place starter inside the base channel and fasten by staggering bolts 12" on center.

Before installing NatureScape Wall sections, check base and starter channel to make sure they are level (You may have to cut the bottom of the wall section to accommodate a sloping foundation). Once level, cut top of section to the desired height and slope of roof. Place section inside the base and starter and fasten the screws to the outside flange of the starter into the section (use 1 1/2" panelized column connectors if starting with a window section). After first section is in place, continue on using window sections or solid panel to finish sidewall.

Place the corner post inside the base channel to finish the sidewall. Using wall sections, either window or solid panel, cut the desired height for the front wall and put sections into place.

Now that two walls are done, start the third wall at the house, putting the corner post on last.

The top cap finishes the top of the wall and locks the wall sections into place. Measure the slope of the wall and mitre cut at the corner for both sidewalls. Measure outside of front wall and mitre cut top cap on both sides. Place top caps over all channels including the corner post. Fasten 12" on center into base channel and top cap to secure everything in place.

Now you are ready to install the roof.